

Features

- ▣ Wide Operating Wavelength Range
- ▣ Low Insertion Loss
- ▣ Ultra Flat Wide Passband
- ▣ High Channel Isolation
- ▣ High Stability and reliability
- ▣ Epoxy-free on Optical Path

Applications

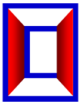
- ▣ Testing Instruments
- ▣ FTTH Tri-Play System



Specifications

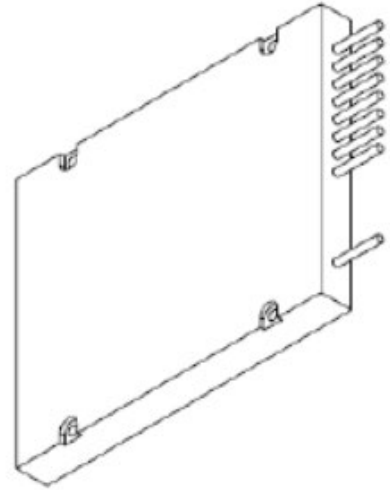
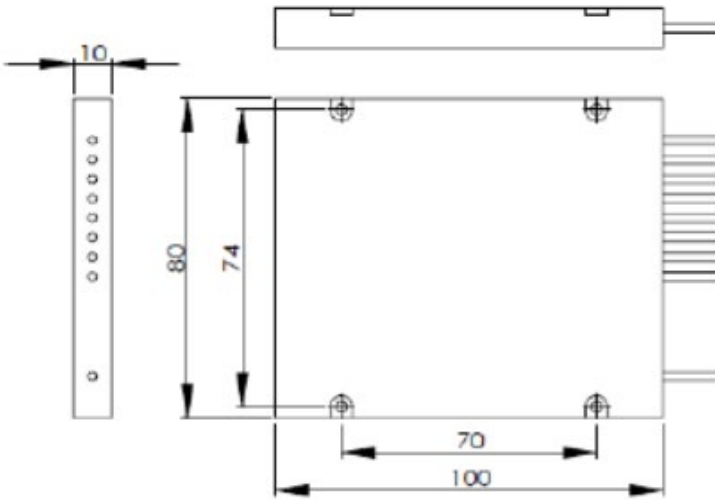
Parameter		4 Channel	8 Channel	16 Channel	32 Channel
CATV Wavelength Range (nm)		1540~1560			
PON Wavelength Range (nm)		1260~1360&1480~1500			
Insertion Loss (dB)	CATV-COM	≤8	≤11.6	≤14.5	≤17.8
	COM-PON	≤0.6			
Isolation(dB)	COM-CATV(@PON)	>30			
	COM-CATV(@PON)	>15			
Insertion Loss Temperature Sensitivity (dB/°C)		<0.005			
Polarization Dependent Loss (dB)		<0.1			
Polarization Mode Dispersion (ps)		<0.1			
Directivity (dB)		>50			
Return loss (dB)		>50			
Maximum Power Handling (mW)		300			
Operating Temperature (°C)		-20~+70			
Storage Temperature (°C)		-40~+85			
Package Dimention(mm)	For 4	100×80×10			
	For 8	120×80×18			
	For 16,32	140×114×18			
	For 4,8,16,32	19"1U			

*1、Above specifications are for devices without connector.2、Specifications may change without notice.

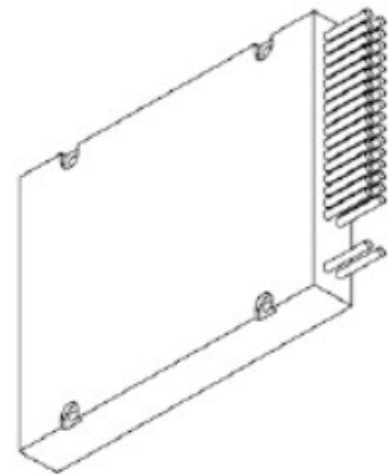
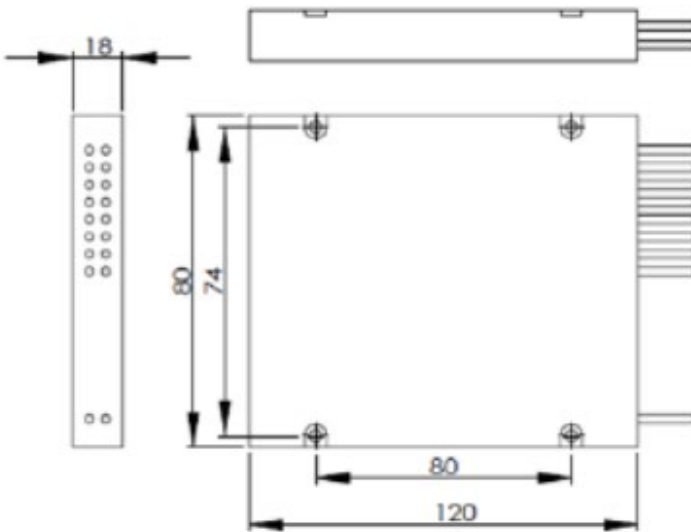


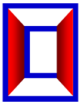
 Dimension (Unit:mm)

A:100×80×10

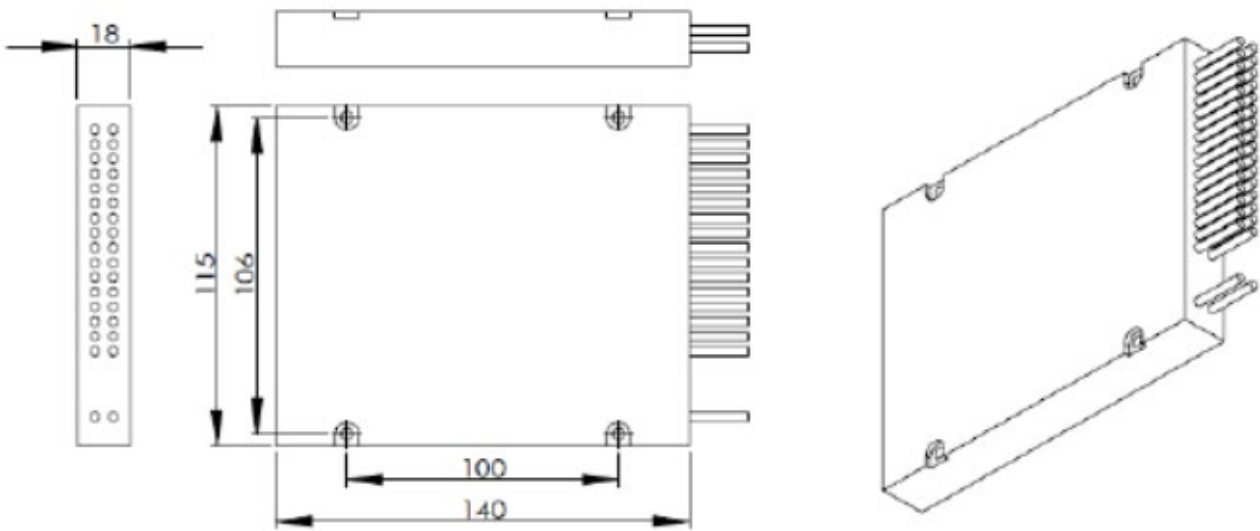


B:120×80×18





C:140×115×18



Ordering Information HC - FWDM - A - B - C - D

A	B	C	D
Wavelength	Fiber Type	Fiber Length	Connector
5/34=1550 pass/1310&1490 reflect	4=4 Channel 8=8 Channel 16=16 Channel 32=32 Channe	1=1m 2=2m	0=None FA=FC/APC FP=FC/PC SA=SC/APC SP=SC/PC T=ST LP=LC/PC LA=LC/APC S=Specify