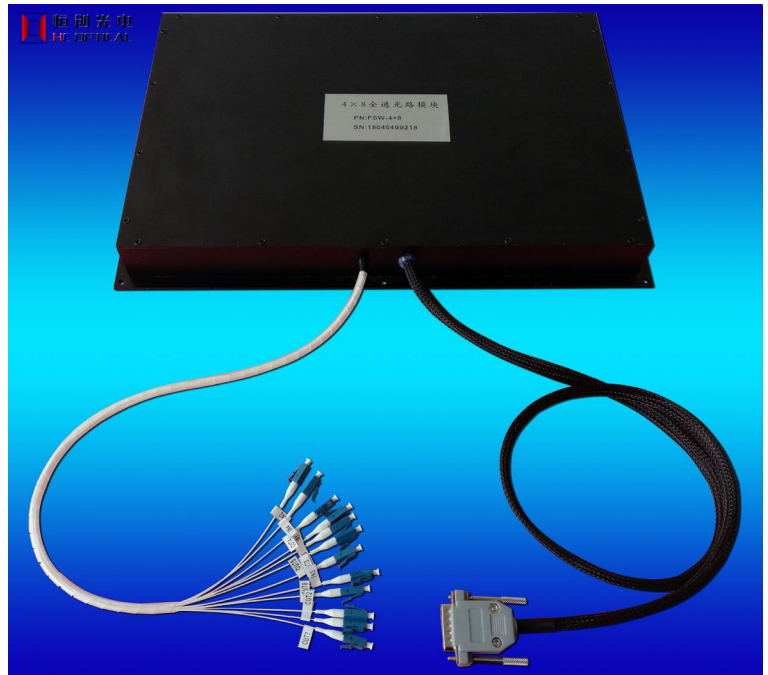


## Features

- ▣ Low insertion loss
- ▣ Wavelength range
- ▣ Low crosstalk
- ▣ High stability and reliability
- ▣ Modular design

## Applications

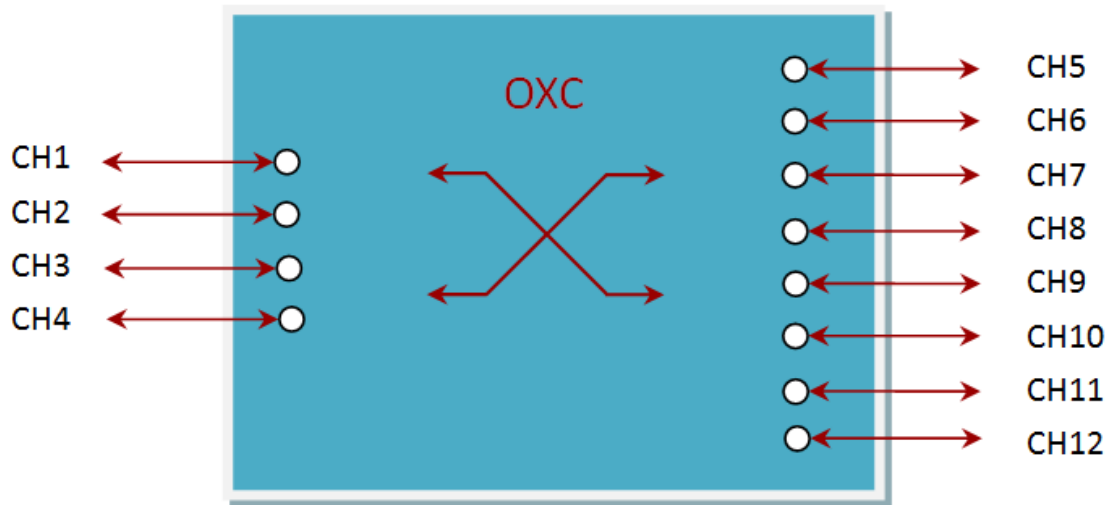
- ▣ Laboratory development
- ▣ System monitoring
- ▣ Configuration OADM
- ▣ Multiple light monitoring
- ▣ Remote optical fiber monitoring system



## Technical parameters

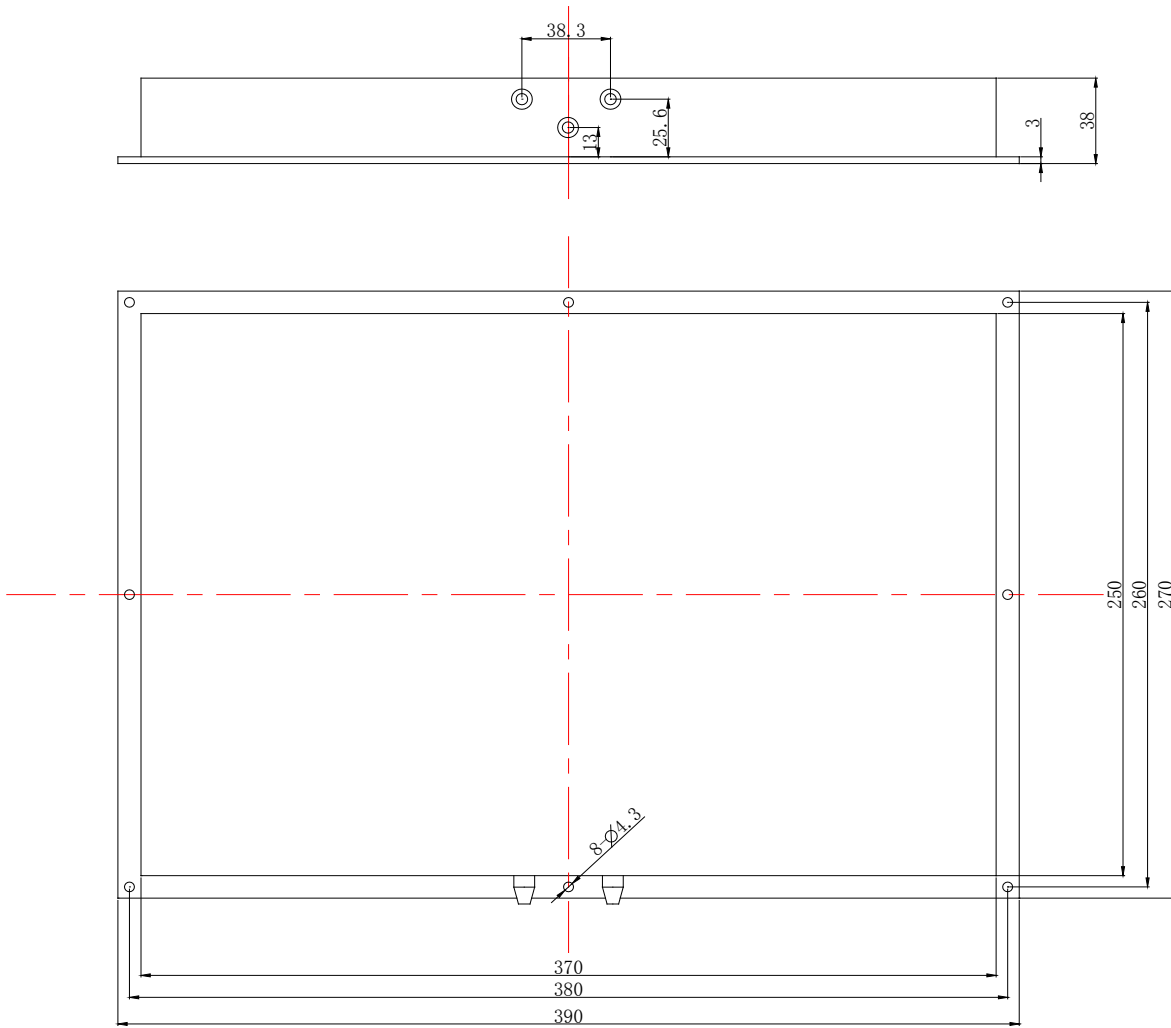
Model	FSW-4X8
Test Wavelength	1550nm
Insertion loss	≤1.5dB
Repeatability	≤0.05dB
Crosstalk	≥60dB
Return loss	≥55dB
Switch time	≤10ms ( The adjacent channel )
Switch life	≥10 <sup>7</sup>
Optical fiber type	SM-9/125 , 900um Pine casing
Degree of long	0.5m±0.01m
Interface type	LC/UPC
Control interface	UART(RS232) , Lead length is 0.5 meters
Working voltage	+5V
Power consumption	≤80W
Working temperature	-20 ~ 60 °C
Storage temperature	-40 ~ 70 °C
Size	390mm×270mm×38mm

**Optical circuit diagram**

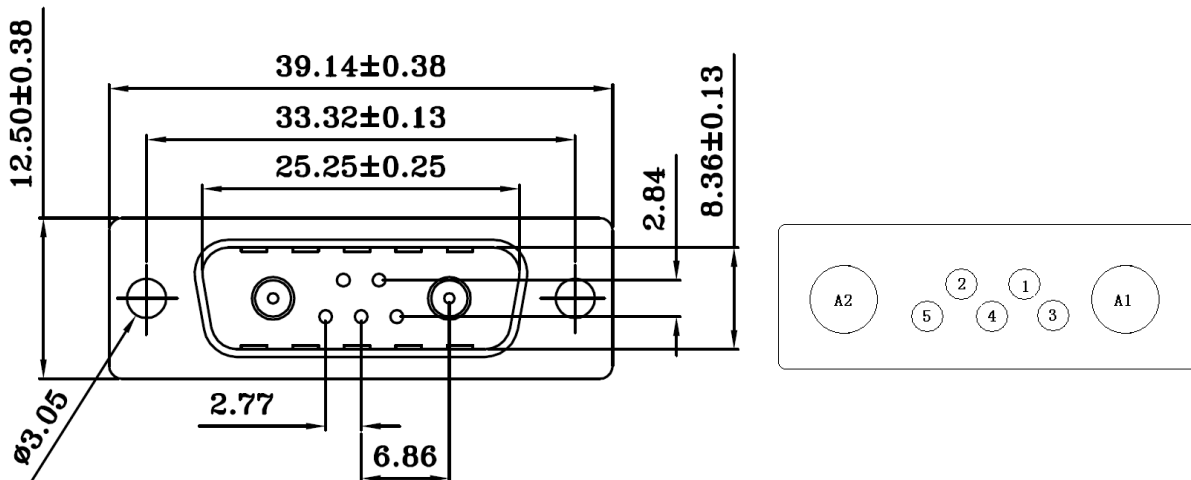


There are 12 ports of CH1~CH12, and any two ports can be intercommunicated. For example, CH1 can communicate with any port of CH2~CH12

**Overall dimensions L×W×H (mm)**



**Pin definition**





Pin#	Signal name	Type	Description
A1	VCC	Power	+5VDC , Digital power supply
A2	GND	Power	Digital ground
1	NC	NC	Dangling
2	NC	NC	Dangling
3	RX	Input ( RS232 )	Data reception
4	TX	Output ( RS232 )	Data sent
5	GND	Power	Digital ground