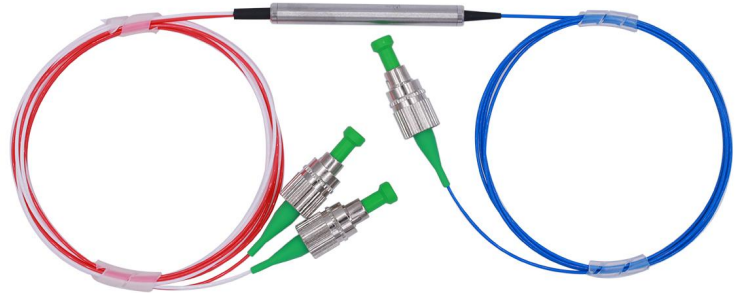


## Product features

- Low insertion loss
- High stability and reliability
- Compact size
- Epoxy-free on Optical Path

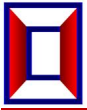


## Application

- Dispersion compensation
- Two-way transmission system
- Optical fiber sensor
- Add/drop multiplexing
- Instrument test and measurement

## Technical specification

Type		3 Port
Operating Wavelength (nm)		1310 or 1550
Bandwidth (nm)		±30
Typ. Isolation (dB)		46
Isolation (dB)		≥40
Typ. Insertion Loss (dB)		0.7
Insertion Loss (dB) @,-5 to +70		≤0.9
Extinction Ratio	Type B (Both of axis)	≥20
	Type F (Fast axis blocked)	≥22
Cross Talk (dB)		≥50
Return Loss (dB)		≥50
Fiber Type		1310nm :PM 1310;1550nm:PM1550
Package Dimension (mm)		φ5.5×L50
Maximum Power Handling (mW)		≤300



Operating Temperature (°C)	-0 to +70
Storage Temperature (°C)	-40 ~ +85

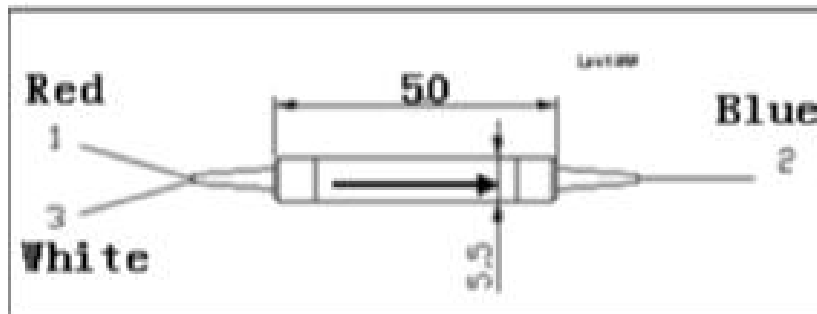
\*Above specifications are for devices without the connectors.

\*Type A is Double Stage, Type B is Single Stage.

\*Fast Axis Blocking \*For devices with connectors, IL will be 0.3dB higher, RL will be 5dB lower, and ER will be 2dB lower.

\*The PM fiber and the connector key are aligned to the slow axis. fast axis is blocked.

## Product Dimensions



## Ordering information HC-PMOC-A-B-C-D-E-F

	A	B	C	D	E	F
PMOC	Wavelength	Ports	Axis Alignment	Pigtail Type	Length	Connector
	1310=1310nm 1550=1550nm	3=3 Ports	F=Fast Axis Blocked B=Both Axis Working	1=250um 2=900um loose tube 3=3mm loose tube	H=0.5m 8=0.8m 1=1.0m 5=1.5m 2=2m	0=None 1=FC/UPC 2=FC/APC 3=SC/APC 4=SC/UPC 6=LC/PC