

## 1/99 TAP PD Spec

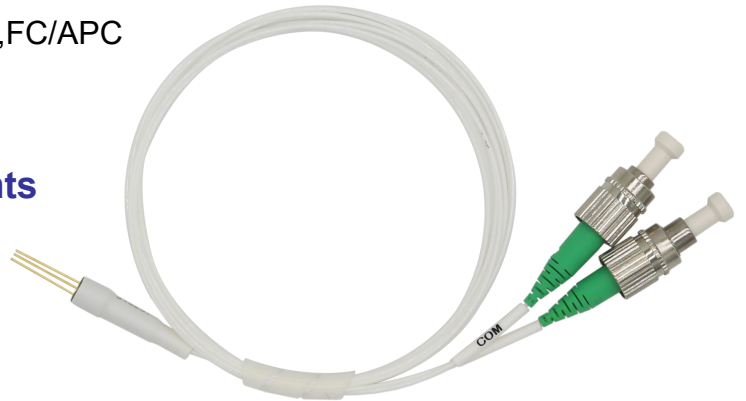
**Product Name: PM TAP PD**

### Describe:

1550nm, 1%, 900um, PM Panda Fiber, 1M, FC/APC

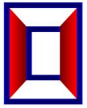
### Reliability and RoHS requirements

- Telcordia GR-1209 core
- Telcordia GR-1221 core
- RoHS6 compliance



### Technical Specification

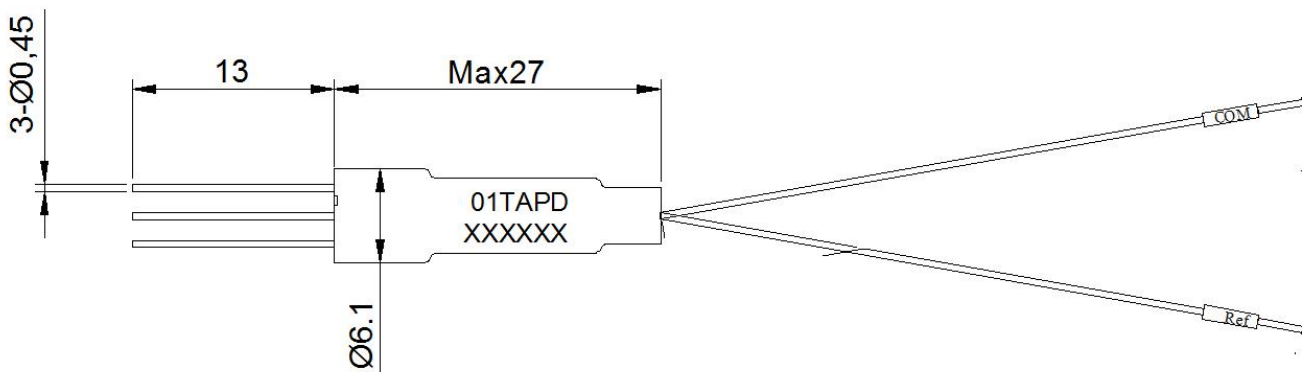
参数/Parameters	规格/Specifications	Unit
工作波长/Working Wavelength	1510~1610	nm
插入损耗/ Insertion Loss	<1.0	dB
响应度/ Responsivity	>7	mA/W
消光比/Extinction Ratio at(@23℃)	>18	dB
暗电流/ Dark Current(At 25℃, -5V bias)	≤10	nA
反向电压/Reverse Voltage	≤25	V
正向电流/ Forward Current	≤10	mA
回波损耗/Return Loss	>40	dB
最大光功率/Maximum Power Handing	300	mW
工作温度/Operating Temperature	-0~+70	℃



存储温度/Storage Temperature	-40~+85	°C
连接器类型/Connector Type	LC/PC	
光纤类型/Fiber Type	PM1550 with 900um loose tube	
光纤长度/Fiber Length	1+/-0.03	m
封装尺寸/Package size	Φ6.1*L25	mm

Note: The IL value is tested with connector/IL 值包含连接器测试。

## Product Dimensions



1. Casing color: All are white
2. Insert the number ring of the port identifier on each casing (see the figure above).
3. The device body coat - 6mm heat shrink tube
4. Product name and SN should be on the heat shrink tube, as shown in the figure above.  
Product name: 01TAPD, SN is 6 digits (size 2, word spacing 0, segment spacing 25, double lines).

## Packaging

- Use anti-static lock pocket, 120x80mm, 1pcs in each bag, data sheet is packed into the bag with the product
- -N/A Label is attached to the outside of each package. The label contains PN and SN