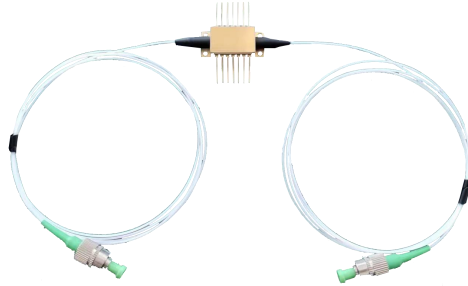



## Butterfly-shaped SOA



### Product introduction

-  The butterfly-shaped SOA is packaged by 14Pin and can be used for an optical fiber sensing system and an optical communication transmission system.

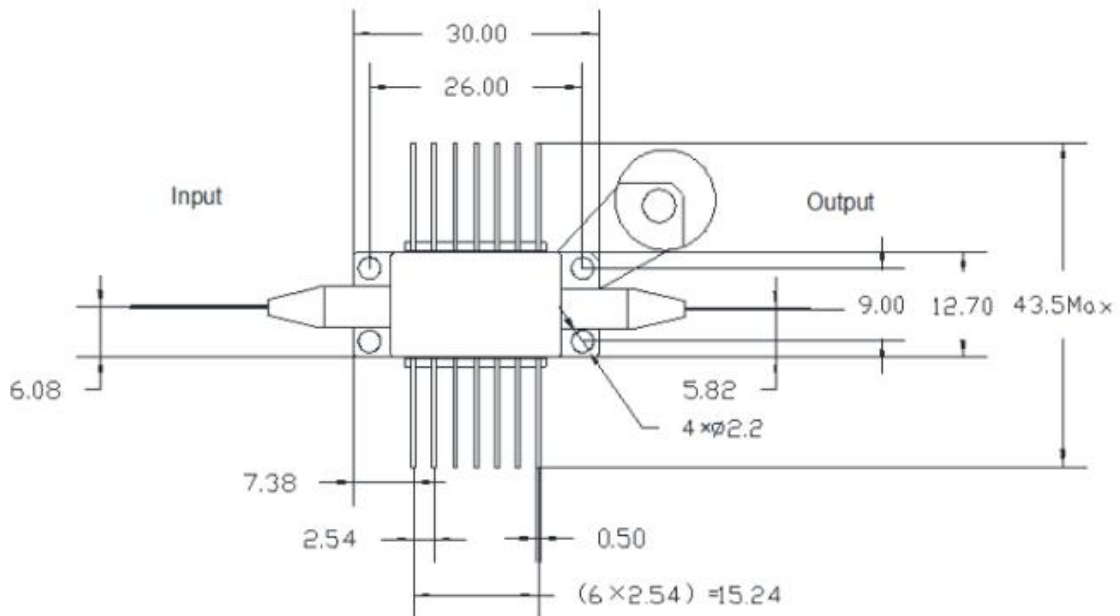
### Specification parameters

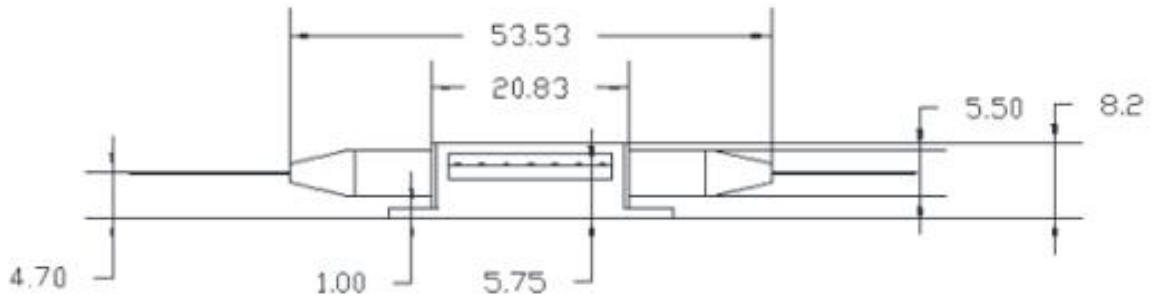
	Working conditions	Minimal	Typical	Max	Unit
Operating current			250	400	mA
Operating voltage			1.6	1.8	V
Bandwidth	-3dB		45		nm
Operating wavelength		1500		1580	nm
Saturated optical power	If=250mA		11		dBm
Small signal gain	Incoming optical power = -20 dBm		20		dB
Noise figure			7		dB
Polarization dependent gain			1.8		dB
Thermistor	25°C		10		kΩ
TEC operating				1.5	A

current					
TEC operating voltage				3.5	V
Operating temperature		0		70	°C
Storage temperature		-20		85	°C
Total power consumption				4	W
Connector	Customized		FC/APC		
Fiber length	Customized		1		m



 **Dimensions in mm**





Pin Assignments			
1	TEC (+)	14	TEC (-)
2	Thermistor	13	NC
3	NC	12	NC
4	NC	11	Chip (-)
5	Thermistor	10	Chip (+)
6	NC	9	NC
7	NC	8	NC

\*Note: Pin #1 is marked by a bevel (notch) at the base of the housing

HC Optical Science

Co., Ltd