

MEMS 16X16 Matrix Optical Switch Module

Features

Low insertion loss
Wavelength range
Low crosstalk
High stability and reliability
Modular design

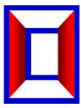
Applications

Laboratory development
System monitoring
Configuration is high
Metropolitan area network
Multiple light monitoring
Optical fiber sensing
Remote optical fiber monitoring system

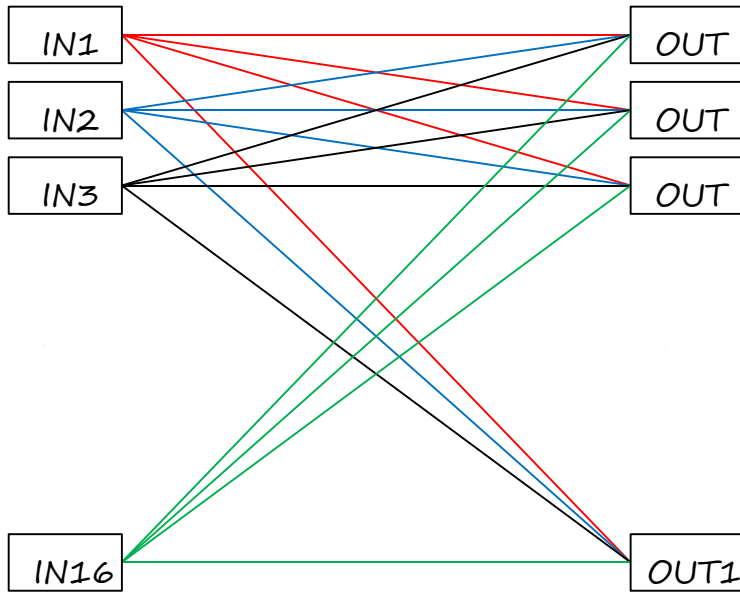


Technical Parameter

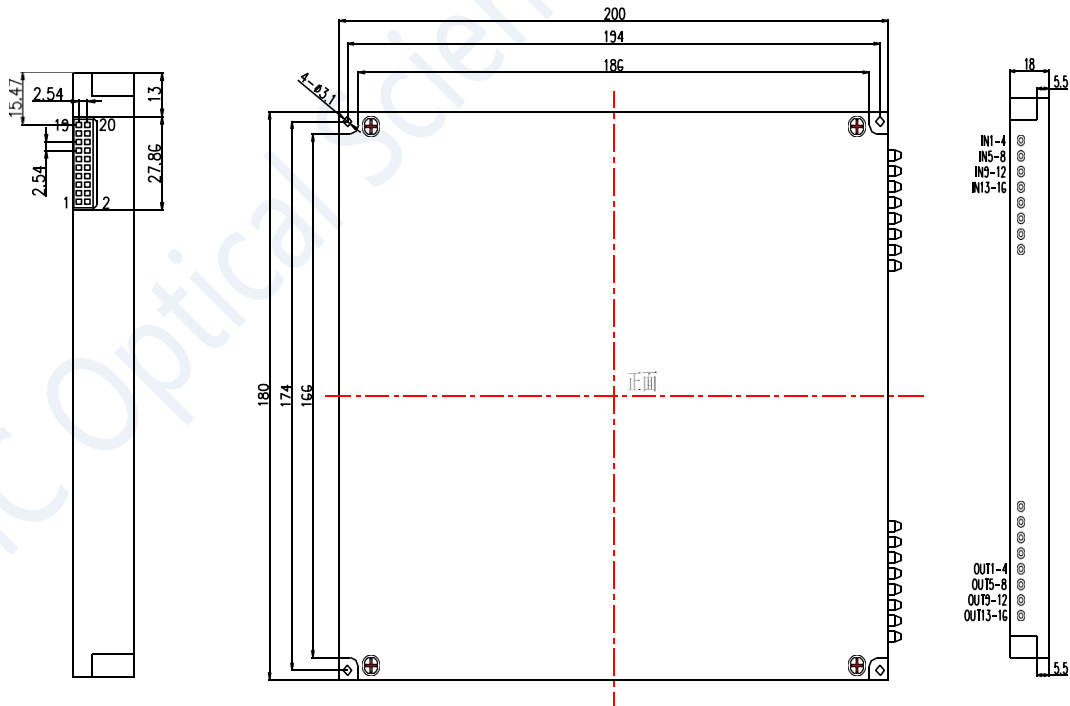
Type no.	HC-MEMS-M-16X16
Working wavelength	1260-1650nm
Test the wavelength	1550nm
Insertion loss	≤3dB
Return loss	≥45dB
crosstalk	≥50dB
Polarization dependent loss	<0.3dB
Switch time	≤10ms
Transmitted optical power	≤23dBm
Optical fiber type	SM-9/125
Optical interface type	FC/APC / based on customer need
The degree of long	1.00 m0.9 mm casing / based on customer need
Control interface	RS232
Working voltage	DC5V
Power consumption	≤10W
Working temperature	-5℃ ~ +70℃
Storage temperature	-40℃ ~ +85℃
Module size	200x180x18mm

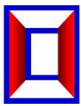


Optical Path Diagram



Dimension





Pin definition

Pin#		Signal name	Type	Description
1	2	VCC	Power	+5VDC , Digital power supply
3	4	GND	Power	Digital ground
5		TXD	Output	Transmit Data
6		RXD	Input	Receive Data
7	8	GND	Power	Digital ground
9、10、11、12、 13、14、15、16、 17、18、19、20		NC		